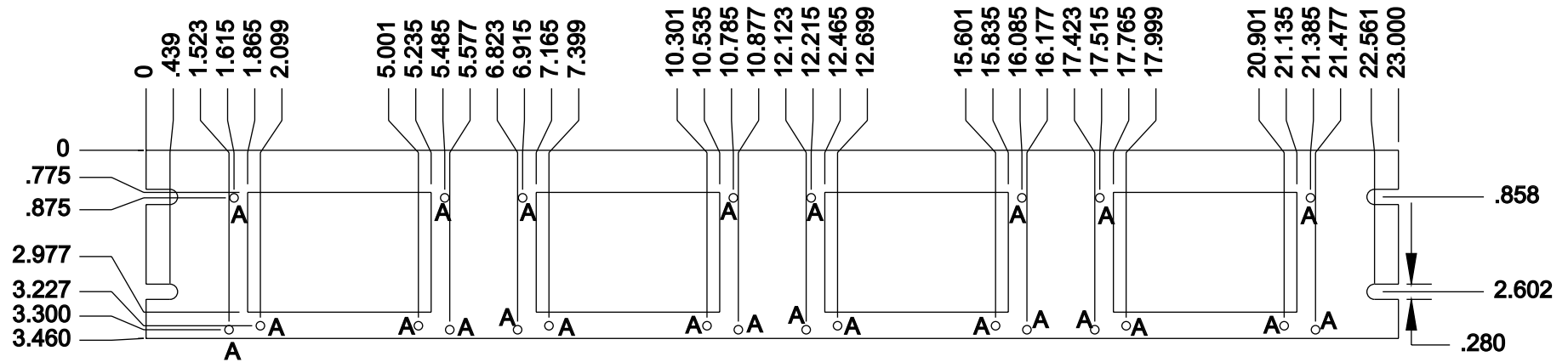


THE INFORMATION CONTAINED IN THIS DRAWING IS THE SOLE PROPERTY OF EXELTECH ANY REPRODUCTION IN PART OR WHOLE WITHOUT THE WRITTEN PERMISSION OF EXELTECH IS PROHIBITED.

REV.	DESCRIPTION	DATE
000		00/00/00



HOLES	DESCRIPTION	QTY.
A	0.156" DIA	24

FOR PARTS LIST SEE D.B.A. B.O.M. LISTING

UNLESS OTHERWISE SPECIFIED DIMENSIONS ARE IN INCHES TOLERANCES ARE: FRACTIONS DECIMALS ANGLES +1/32 .XX +/- .020 .XX.X +/- .010		CAD GENERATED DRAWING DO NOT MANUALLY UPDATE	
APPROVALS		DATE	
DRAWN M. C ARNES		05/08/98	
CHECKED			
RESP ENG			
MFG ENG			
QUAL ENG			
DO NOT SCALE DRAWING			

**EXELTECH**

**23" XP FACE PLATE  
FOR RACK MNT.**

SIZE DWG. NO.  
A 020-00130-100

SCALE CAD FILE: SHEET OF

8 7 6 5 4 3 2 1

8 7 6 5 4 3 2 1

D

D

C

C

B

B

A

A