

THE INFORMATION CONTAINED IN THIS DRAWING IS THE SOLE PROPERTY OF EXELTECH ANY REPRODUCTION IN PART OR WHOLE WITHOUT THE WRITTEN PERMISSION OF EXELTECH IS PROHIBITED.

REV.	DESCRIPTION	DATE
000		00/00/00

D

D

C

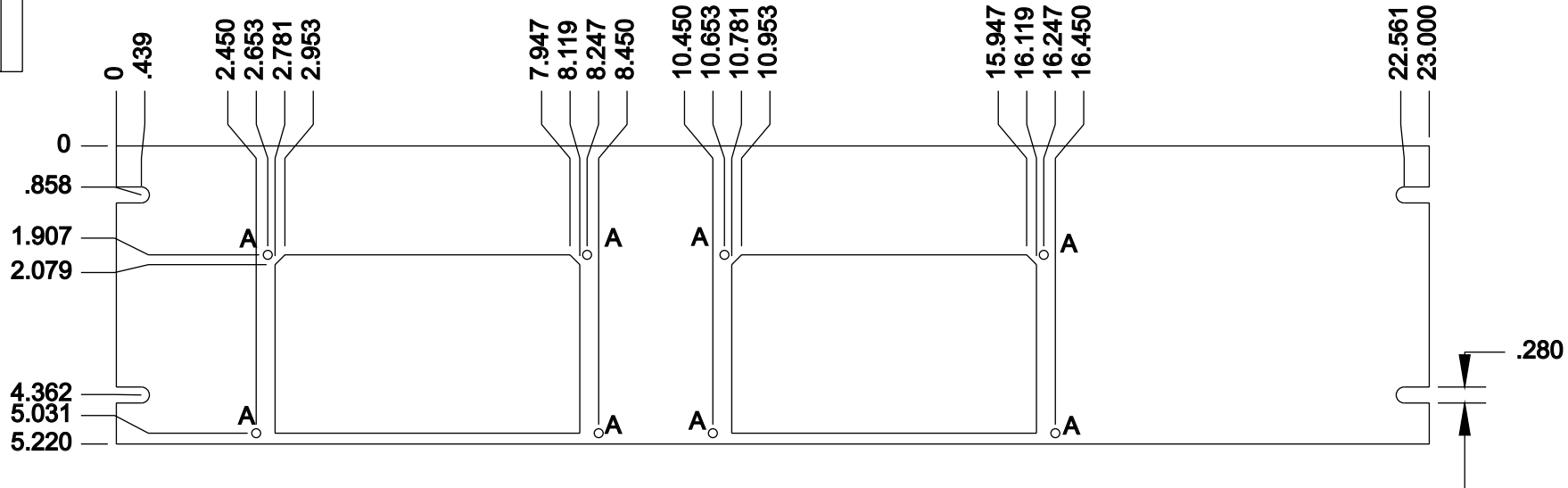
C

B

B

A

A



HOLES	DESCRIPTION	QTY.	FOR PARTS LIST SEE D.B.A. B.O.M. LISTING			
A	0.156" DIA	8	UNLESS OTHERWISE SPECIFIED DIMENSIONS ARE IN INCHES TOLERANCES ARE: FRACTIONS DECIMALS ANGLES +1/32 .XX +/- .020 .XX X +/- .010	CAD GENERATED DRAWING DO NOT MANUALLY UPDATE		EXELTECH
				APPROVALS	DATE	
			MATERIAL	DRAWN		23" XP FACE PLATE FOR RACK MNT
			FINISH	M. C ARNES	02/03/98	
			DO NOT SCALE DRAWING	CHECKED		SIZE
				RESP ENG		A
				MFG ENG		DWG. NO.
				QUAL ENG		020-00118-101
						SCALE
						CAD FILE:
						SHEET OF