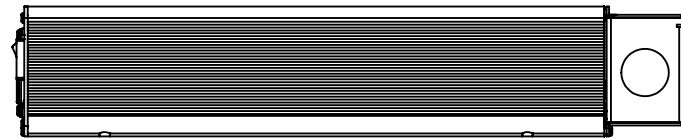
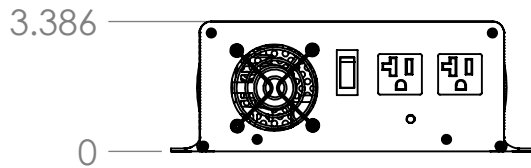
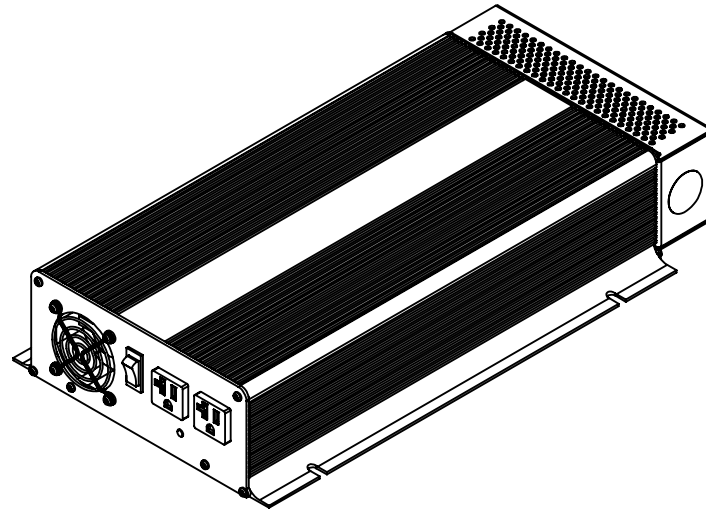
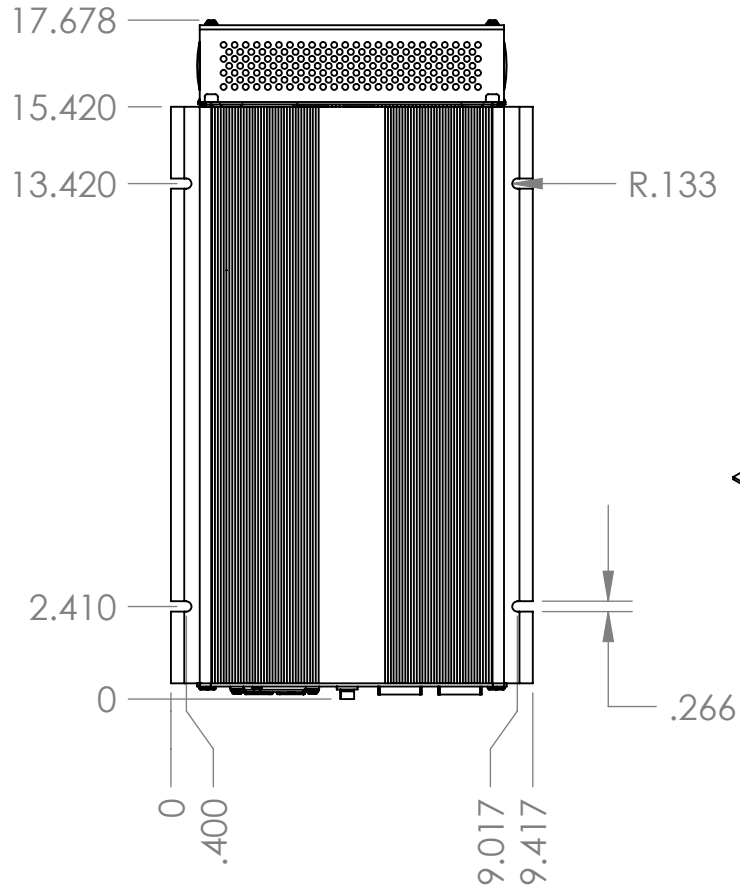


THE INFORMATION CONTAINED IN THIS DRAWING IS THE SOLE PROPERTY OF EXELTECH ANY REPRODUCTION IN PART OR WHOLE WITHOUT THE WRITTEN PERMISSION OF EXELTECH IS PROHIBITED.



FOR PARTS LIST SEE D.B.A. B.O.M. LISTING

UNLESS OTHERWISE SPECIFIED
DIMENSIONS ARE IN INCHES
TOLERANCES ARE:

DECIMALS: .XXX +/- .010
.XX +/- .020

FRACTIONS: +/- 1/32

ANGLES: +/- 1

MATERIAL

FINISH

SCALE 1:5

CAD GENERATED DRAWING,
DO NOT MANUALLY UPDATE

APPROVALS	DATE
DRAWN LEM	3/24/2008
CHECKED	

RESP ENG

MFG ENG

QUAL ENG

EXELTECH
7317 JACK NEWELL BLVD N
FT. WORTH, TX 76118-7100

XPX

SIZE A DWG. NO. XPX Assembly

SCALE CAD FILE: SHEET 1 OF 1