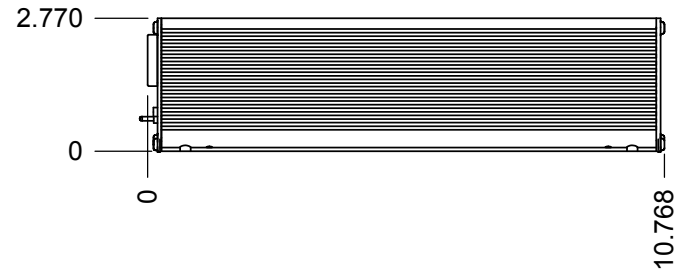
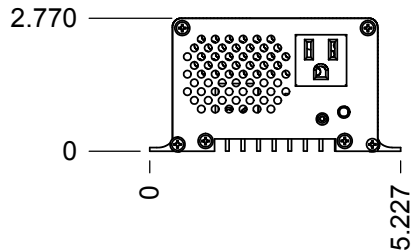
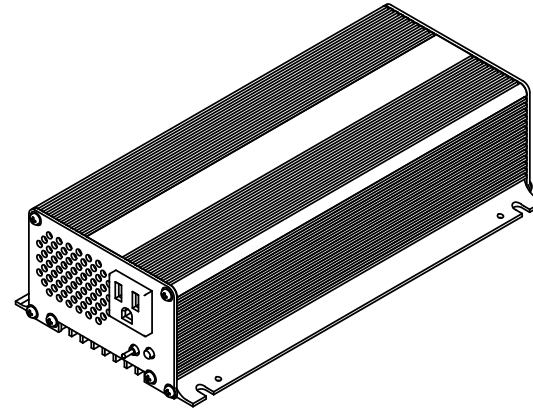
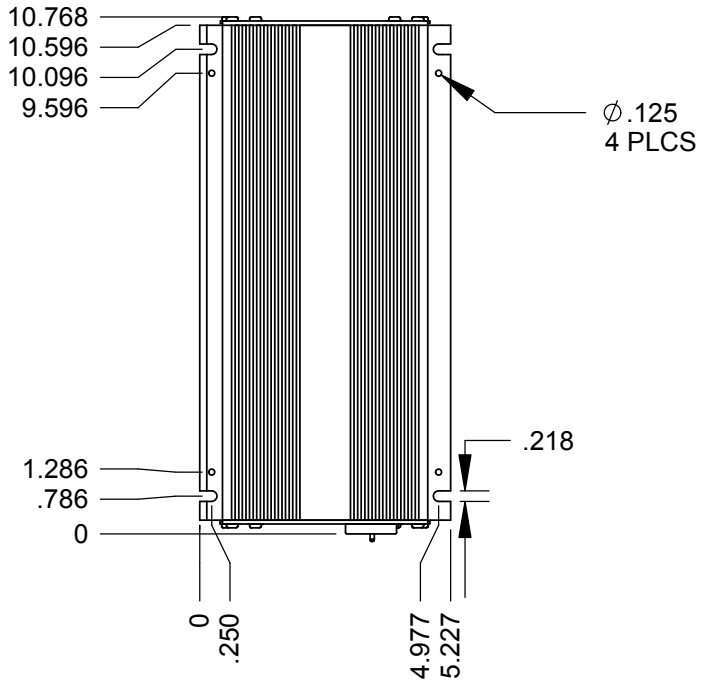


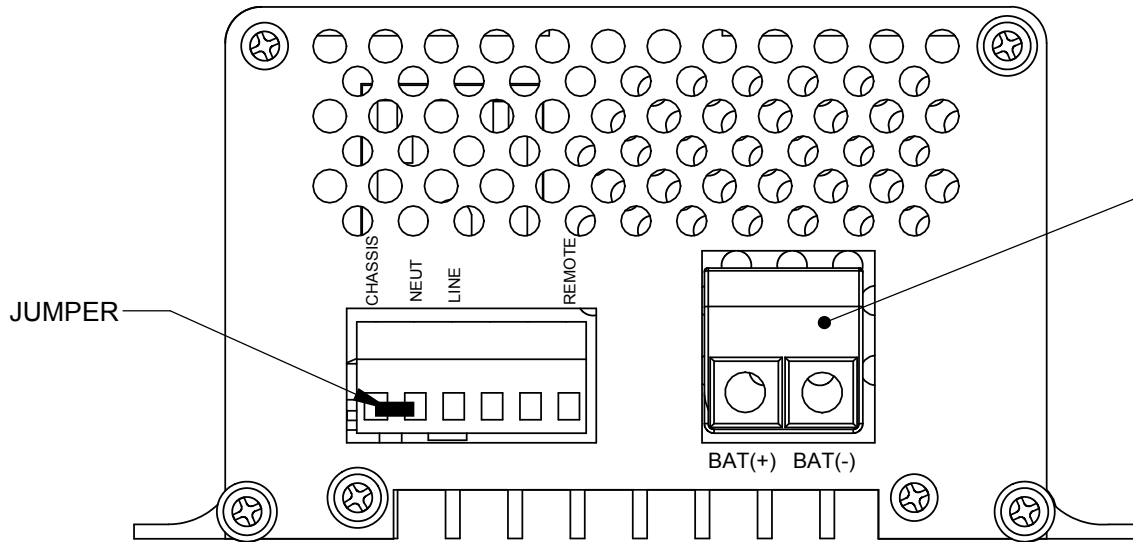
THE INFORMATION CONTAINED IN THIS DRAWING IS THE SOLE PROPERTY OF EXELTECH ANY REPRODUCTION IN PART OR WHOLE WITHOUT THE WRITTEN PERMISSION OF EXELTECH IS PROHIBITED. Subject to change w/o notice.



FOR PARTS LIST SEE D.B.A. B.O.M. LISTING

UNLESS OTHERWISE SPECIFIED		CAD GENERATED DRAWING, DO NOT MANUALLY UPDATE		<b>EXELTECH</b>	
DIMENSIONS ARE IN INCHES TOLERANCES ARE:		APPROVALS	DATE		
FRACTIONS	DECIMALS	ANGLES	DRAWN	M. C ARNES	1/17/01
+1/32	.XX +/- .020		CHECKED		
	.XX X +/- .010		MATERIAL	RESP ENG	
FINISH			MFG ENG		SIZE A
DO NOT SCALE DRAWING			QUAL ENG		DWG. NO.
				SCALE	CAD FILE:
					SHEET OF

THE INFORMATION CONTAINED IN THIS DRAWING IS THE SOLE PROPERTY OF EXELTECH ANY REPRODUCTION IN PART OR WHOLE WITHOUT THE WRITTEN PERMISSION OF EXELTECH IS PROHIBITED.



WE SEND 2PIN CONNECTOR WITH UNIT SO CUSTOMER CAN CONNECT THEIR WIRE TO IT AND THEN PLUG IT IN.

HOLES	DESCRIPTION	QTY.	FOR PARTS LIST SEE D.B.A. B.O.M. LISTING		
			UNLESS OTHERWISE SPECIFIED DIMENSIONS ARE IN INCHES TOLERANCES ARE: DECIMALS: .XXX +/- .010 .XX +/- .020 FRACTIONS: +/- 1/32 ANGLES: +/- 1	CAD GENERATED DRAWING, DO NOT MANUALLY UPDATE	
				APPROVALS	DATE
			MATERIAL	DRAWN	MC
			FINISH	CHECKED	
			DO NOT SCALE DRAWING	RESP ENG	
				MFG ENG	
				QUAL ENG	
				SIZE	DWG. NO.
				A	
			SCALE	CAD FILE:	SHEET   OF

**EXELTECH**  
7317 JACK NEWELL BLVD N  
FT. WORTH, TX 76118-7100

**XP250W INVERTER**