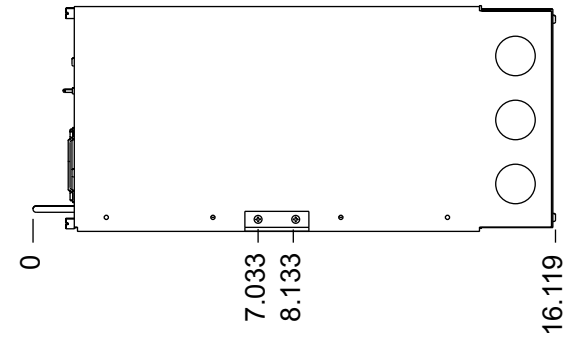
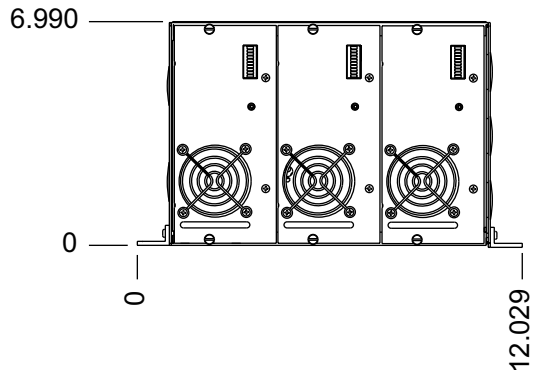
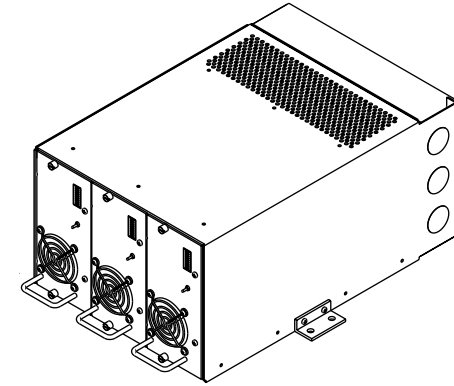
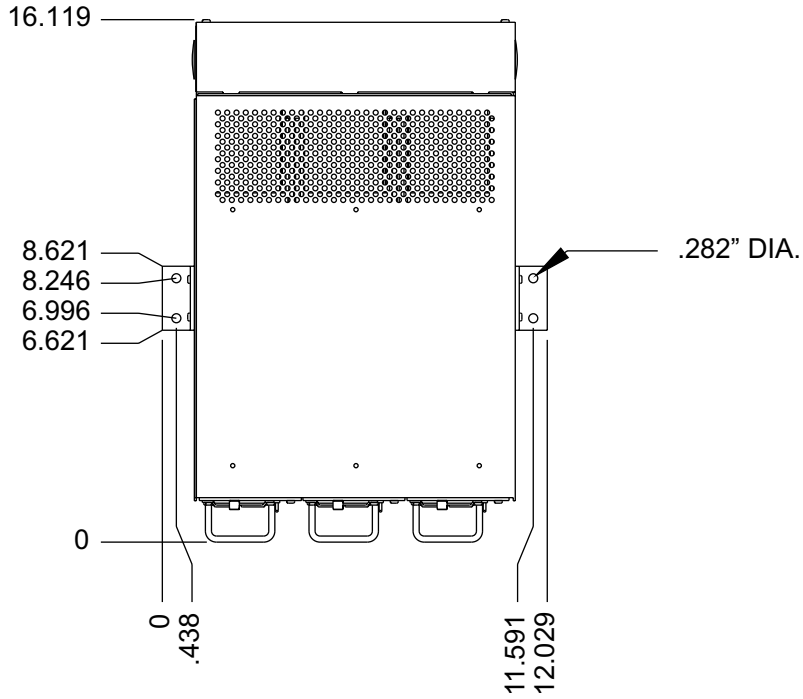


THE INFORMATION CONTAINED IN THIS DRAWING IS THE SOLE PROPERTY OF EXELTECH ANY REPRODUCTION IN PART OR WHOLE WITHOUT THE WRITTEN PERMISSION OF EXELTECH IS PROHIBITED. SUBJECT TO CHANGE WITHOUT NOTICE.

REV.	DESCRIPTION	DATE



HOLES	DESCRIPTION	QTY.	FOR PARTS LIST SEE D.B.A. B.O.M. LISTING		
			UNLESS OTHERWISE SPECIFIED DIMENSIONS ARE IN INCHES TOLERANCES ARE:	CAD GENERATED DRAWING DO NOT MANUALLY UPDATE	
			FRACTIONS DECIMALS ANGLES +1/32 .XX+/- .020	APPROVALS	DATE
			.XX X +/- .010	DRAWN M. C ARNES	02/27/01
			MATERIAL ALUMINUM CASING	CHECKED	
			FINISH BLACK, POLYURETHANE BASE PAINT	RESP ENG	
			DO NOT SCALE DRAWING	MFG ENG	
				QUAL ENG	
			SIZE A	DWG. NO.	
			SCALE	CAD FILE:	SHEET OF

EXELTECH

9" MX CAGE

SCALE	CAD FILE:	SHEET OF
-------	-----------	----------