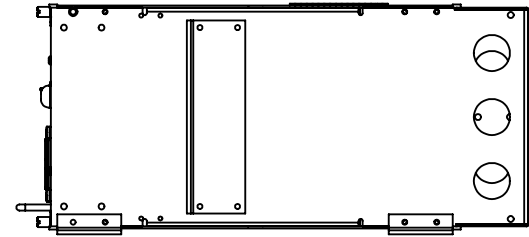
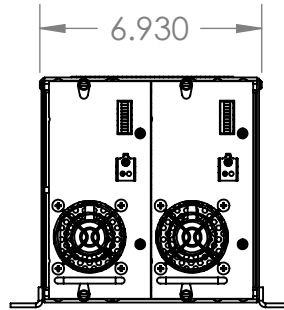
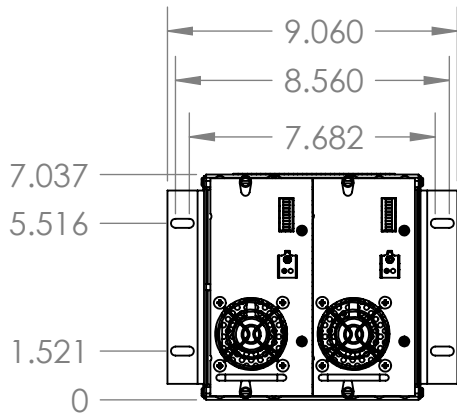
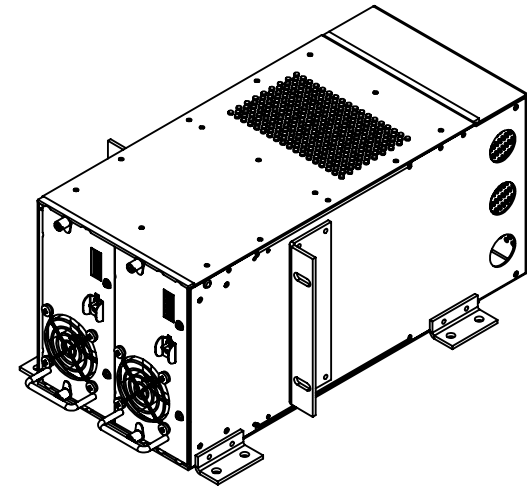
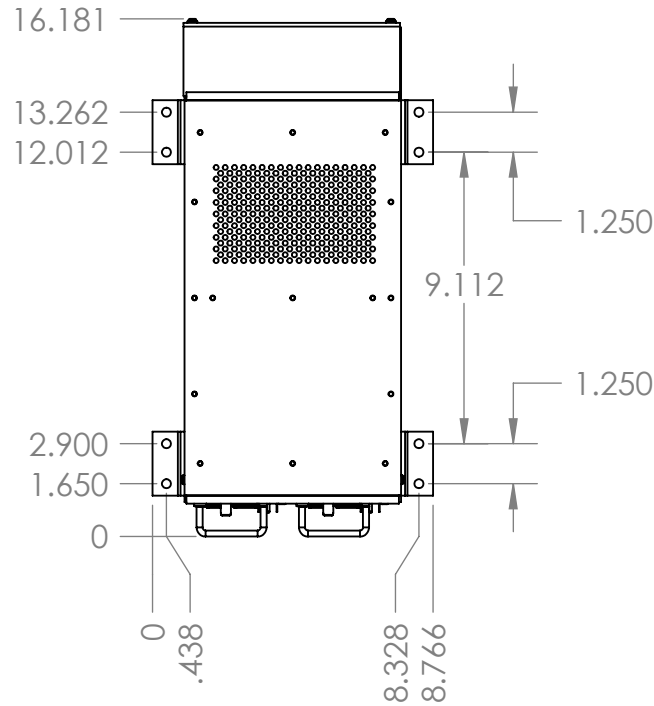
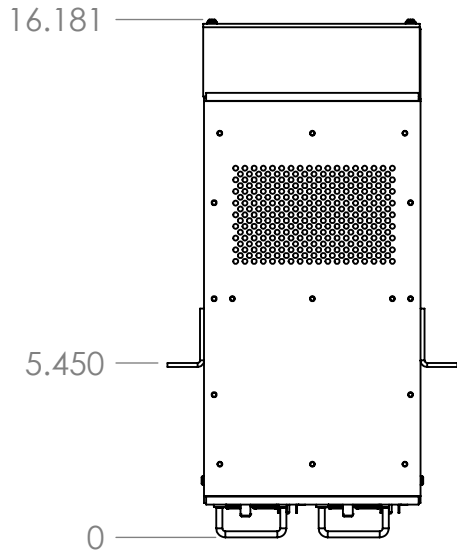


THE INFORMATION CONTAINED IN THIS DRAWING IS THE SOLE PROPERTY OF EXELTECH ANY REPRODUCTION IN PART OR WHOLE WITHOUT THE WRITTEN PERMISSION OF EXELTECH IS PROHIBITED.



RACK/CABINET MOUNT EARS

SURFACE MOUNT FEET

FOR PARTS LIST SEE D.B.A. B.O.M. LISTING			
UNLESS OTHERWISE SPECIFIED DIMENSIONS ARE IN INCHES TOLERANCES ARE:		CAD GENERATED DRAWING, DO NOT MANUALLY UPDATE	
DECIMALS: .XXX +/- .010 .XX +/- .020		APPROVALS	DATE
FRACTIONS: +/- 1/32		DRAWN LEM	1/6/2012
ANGLES: +/- 1		CHECKED	
MATERIAL		RESP ENG	
FINISH		MFG ENG	
DO NOT SCALE DRAWING		QUAL ENG	
		SIZE A	DWG. NO.
		SCALE	CAD FILE:
		SHEET 1 OF 1	

EXELTECH
7317 JACK NEWELL BLVD N
FT. WORTH, TX 76118-7100
MX 7B MASTER/POWER