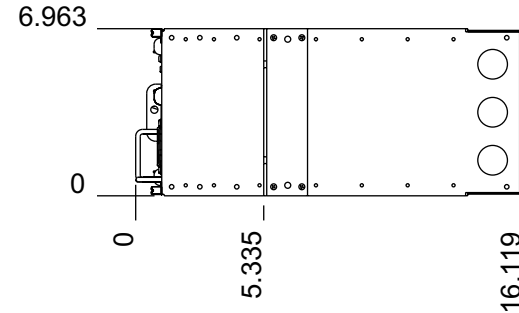
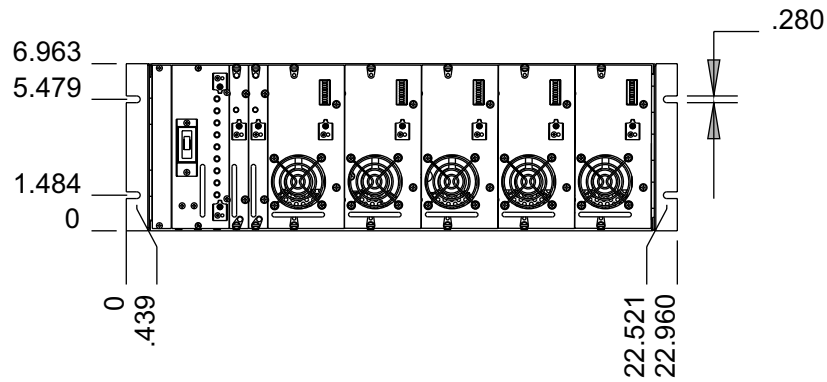
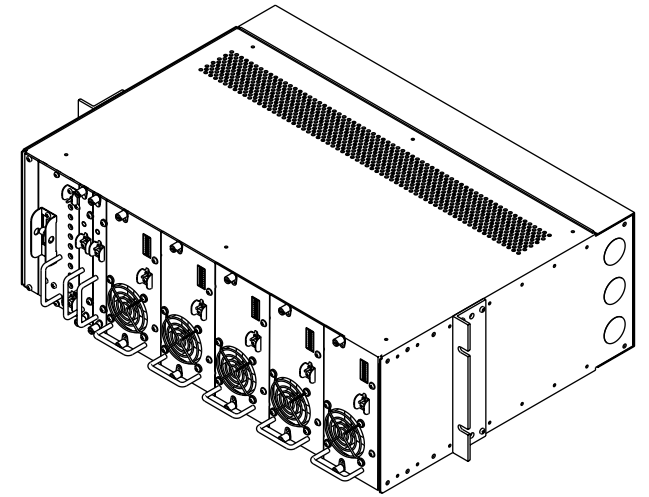
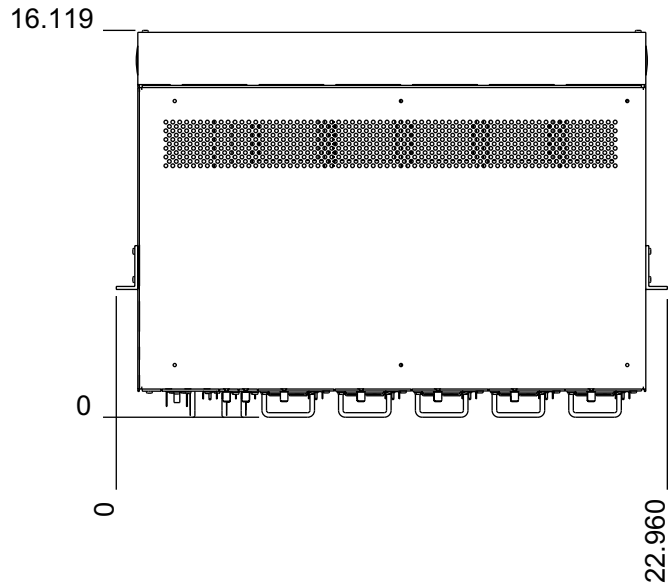


THE INFORMATION CONTAINED IN THIS DRAWING IS THE SOLE PROPERTY OF EXELTECH ANY REPRODUCTION IN PART OR WHOLE WITHOUT THE WRITTEN PERMISSION OF EXELTECH IS PROHIBITED. SUBJECT TO CHANGE WITHOUT NOTICE.

REV.	DESCRIPTION	DATE



HOLES	DESCRIPTION	QTY.	FOR PARTS LIST SEE D.B.A. B.O.M. LISTING		
			UNLESS OTHERWISE SPECIFIED DIMENSIONS ARE IN INCHES TOLERANCES ARE:	CAD GENERATED DRAWING DO NOT MANUALLY UPDATE	
			FRACTIONS DECIMALS ANGLES +1/32 .XX+/- .020 .XX X +/- .010	APPROVALS	DATE
			MATERIAL ALUMINUM CASING	DRAWN M. C ARNES	2/27/01
			FINISH BLACK, POLYURATHANE BASE PAINT	CHECKED	
			DO NOT SCALE DRAWING	RESP ENG	
				MFG ENG	
				QUAL ENG	
			SIZE A	DWG. NO.	
			SCALE	CAD FILE:	SHEET OF

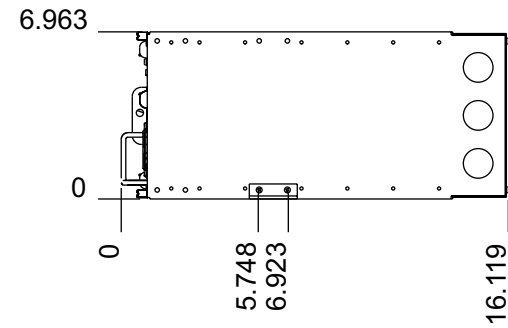
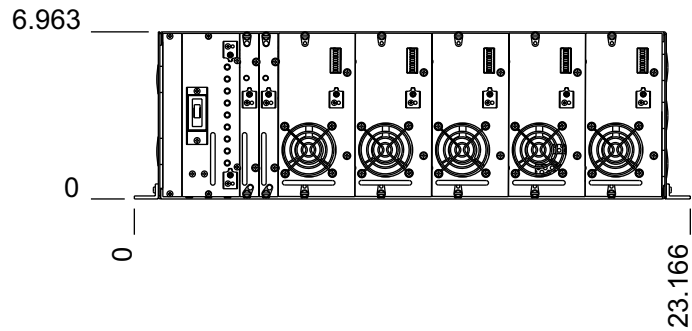
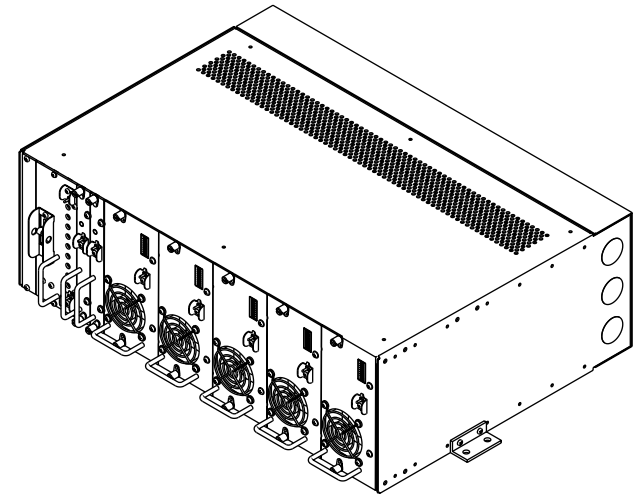
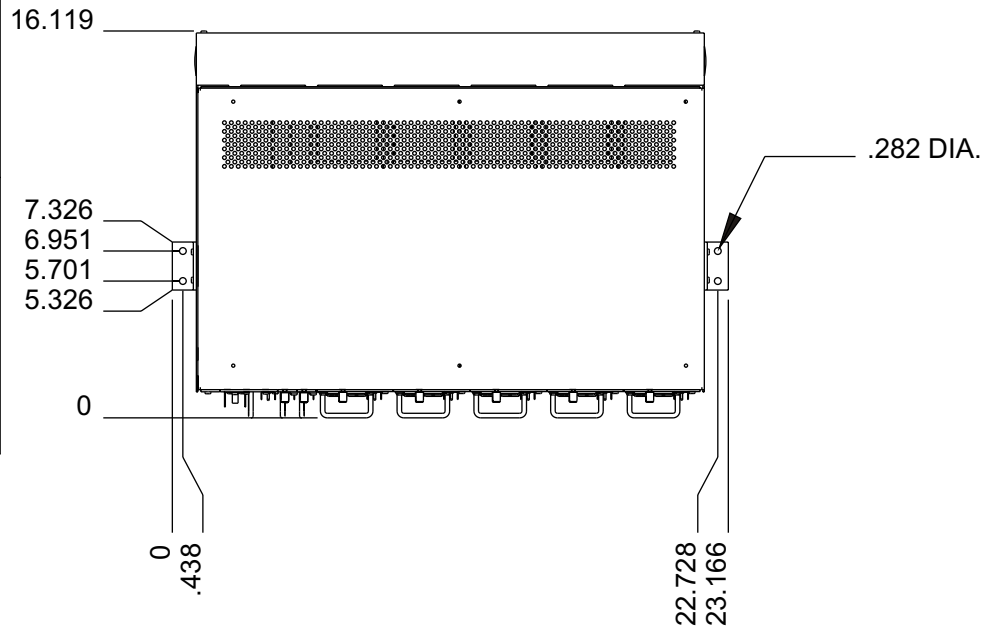
EXELTECH

**23" MX CAGE
4kw n+1**

SCALE	CAD FILE:	SHEET OF
-------	-----------	----------

THE INFORMATION CONTAINED IN THIS DRAWING IS THE SOLE PROPERTY OF EXELTECH ANY REPRODUCTION IN PART OR WHOLE WITHOUT THE WRITTEN PERMISSION OF EXELTECH IS PROHIBITED. SUBJECT TO CHANGE WITHOUT NOTICE.

REV.	DESCRIPTION	DATE



HOLES	DESCRIPTION	QTY.	FOR PARTS LIST SEE D.B.A. B.O.M. LISTING		
			UNLESS OTHERWISE SPECIFIED DIMENSIONS ARE IN INCHES TOLERANCES ARE:	CAD GENERATED DRAWING DO NOT MANUALLY UPDATE	
			FRACTIONS DECIMALS ANGLES +1/32 .XX+/- .020	APPROVALS	DATE
			.XX X +/- .010	DRAWN M. C ARNES	3/2/01
			MATERIAL ALUMINUM CASING	CHECKED	
			FINISH BLACK, POLYURATHANE BASE PAINT	RESP ENG	
			DO NOT SCALE DRAWING	MFG ENG	
				QUAL ENG	
			SIZE A		DWG. NO.
					PART NUMBER
SCALE		CAD FILE:		SHEET OF	

EXELTECH

**23" MX CAGE
WITH FEET**

PART NUMBER

SCALE CAD FILE: SHEET OF